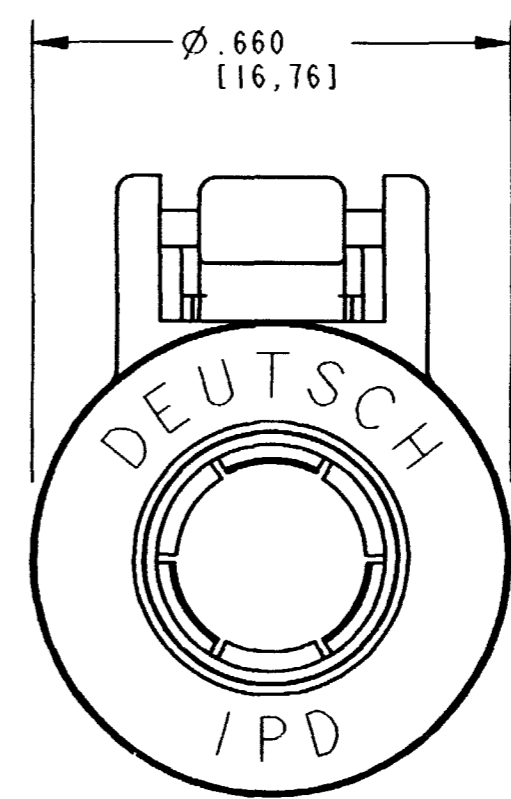
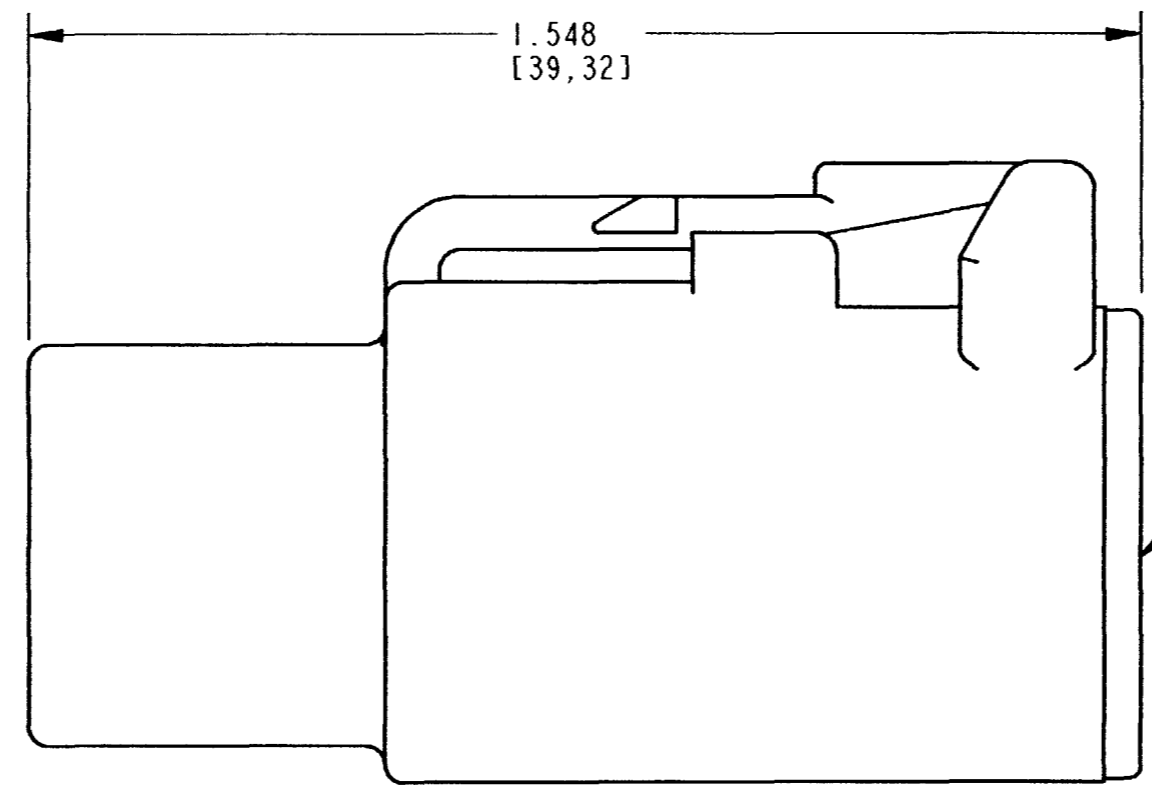
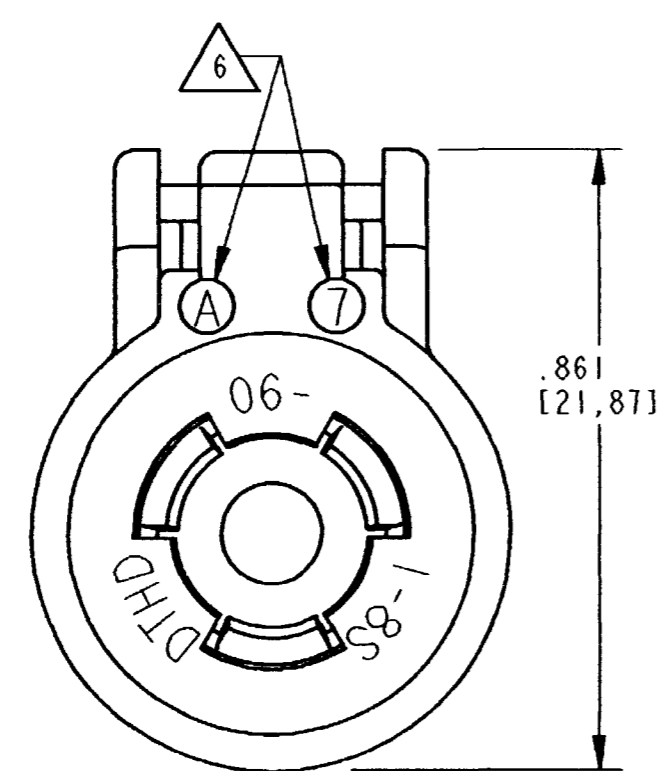


REV
A DTHD06-1-8S-E003

REVISIONS			
SYM	DESCRIPTION	DATE	APPROVED
NC	NEW RELEASE PER E.O. A14636	12-6-94	R.D.R.
A	REDRAWN & REVISED PER E.O. P19228	4-25-06	RDR



- 7 PART MODIFICATION: END CAP WELDED ONTO PLUG.
- 6 DATE CODE: MONTH IS REPRESENTED BY SEQUENTIAL ALPHA CHARACTERS. EX: A = JANUARY.
YEAR IS REPRESENTED BY LAST NUMERIC DIGIT. EX: 2 = 2002.

- 5. MATERIAL: HOUSING: PLASTIC, GROMMET: RUBBER.
- 4 THIS PLUG MATES WITH DTHD04-1-8P-**** RECEPTACLE.
(**** = ALL MODIFICATIONS)
- 3. FOR CONTACT AND WIRE PERFORMANCE AND APPLICATION CHARACTERISTIC SEE ENVELOPE DRAWING 0425-015-0000.

2. DIMENSION TOLERANCE: ±.025 [.64].
1. DIMENSIONS ARE IN INCHES [mm].
NOTES: UNLESS OTHERWISE SPECIFIED.

WIRE INSULATION DIA			
CONTACT SIZE	MINIMUM O.D.	MAXIMUM O.D.	WIRE RANGE [mm ²] REF. ONLY
8	.190 [4.83]	.240 [6.09]	8 - 10 AWG [8.0-5.0]

SIGNATURE & DATE	
DR	J. APOSTOL 17 APR 2006
CHK	B. Byford 4/25/06
PE	D. Neys 4/17/06
APPD	R. Reed 4-25-06
SCALE	NONE
WT	

PLUG
#8 HD CONTACT
-E003 MOD.
COLOR BLACK
DTHD SERIES

ENVELOPE

CP	MATL. CODE
The Deutch Company DEUTSCH I.P.D. 3850 INDUSTRIAL AVE. HEMET, CALIF. 92545	
B DTHD06-1-8S-E003	
DWG SIZE	CODE 11139 SHEET 1 OF 1